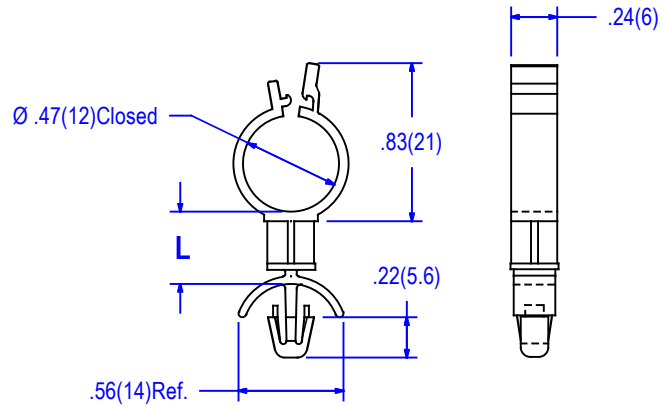


03-74 SERIES



ITEM NO.	L		Mounting hole Dia.		Panel thickness range	
	In. ±.015	mm. ± 0.4	In. ±.003	mm. ± 0.08	In.	mm.
03-74-30	.187	4.8	.187	4.75	.031-.078	0.8 - 2
03-74-40	.250	6.4				
03-74-60	.375	9.5				
03-74-80	.500	12.7				
03-74-120	.750	19.1.				
03-74-2-30	.187	4.8	.187	4.75	.078 -.160	2 - 4.
03-74-2-40	.250	6.4				
03-74-2-60	.375	9.5				
03-74-2-80	.500	12.7				
03-74-2-120.	.750	19.1				

PACKAGING : 1000 PER BAG

UL 94V-O MATERIAL AVAILABLE UPON REQUEST
TO ORDER ADD SUFFIX "X" TO ITEM NUMBER

MATERIAL	NYLON 66
UL RATING	94V-2
UL FILE NO.	E41938
COLOR	NATURAL
RoHS COMPLIANCE	YES
TEMPERATURE RANGE (REF.)	-40 to 185°F (-40 to 85°C)
MR NUMBER	12

				BY	DATE	Title	
						WIRE ROUTING CLIP, LOCKING ON STAND-OFF	
						Part No.	Issue
						See table	B
						DIMENSIONS Inches (mm) Tolerance (unless noted) .xx = ± .010, .xxx = .005	
B	Added Part No 03-74-2-120.	10-3-19	FL	ALL ELECTRONICS HARDWARE INC. 2642 Corporate Parkway Algonquin, IL. 60102 1-800-778-7234			Drwg. type CATALOG
A	Added Part No 03-74-120.	8-23-19	FL				10-3-19
No	Revision	Date	Init.				File No. 03-74 series